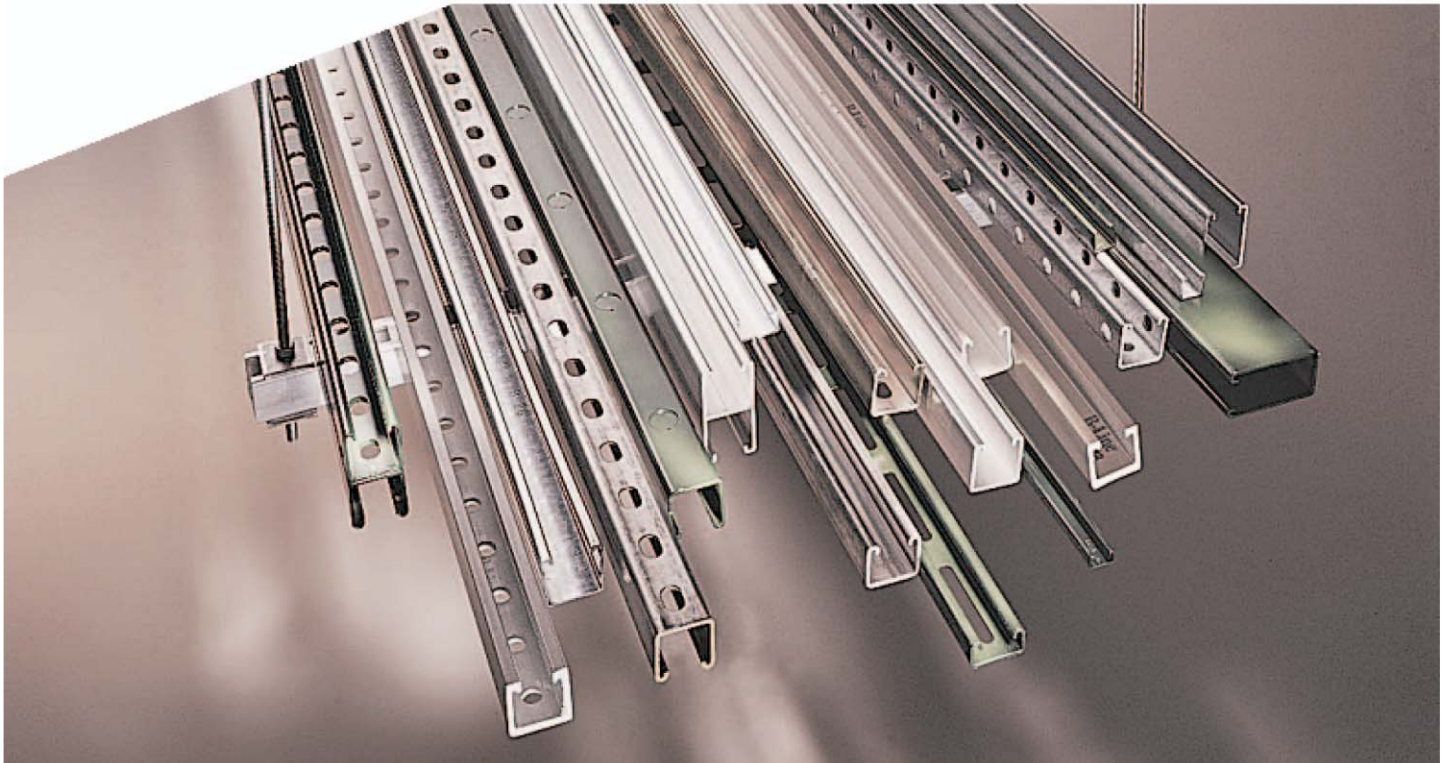
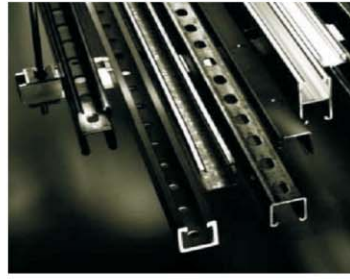
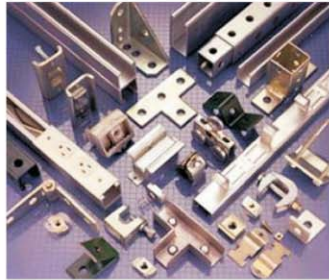
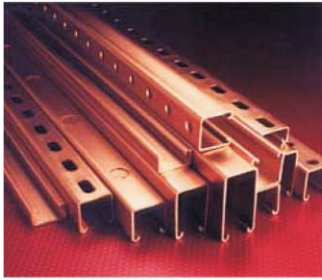


# HISENER INDUSTRIAL CO.,LTD.



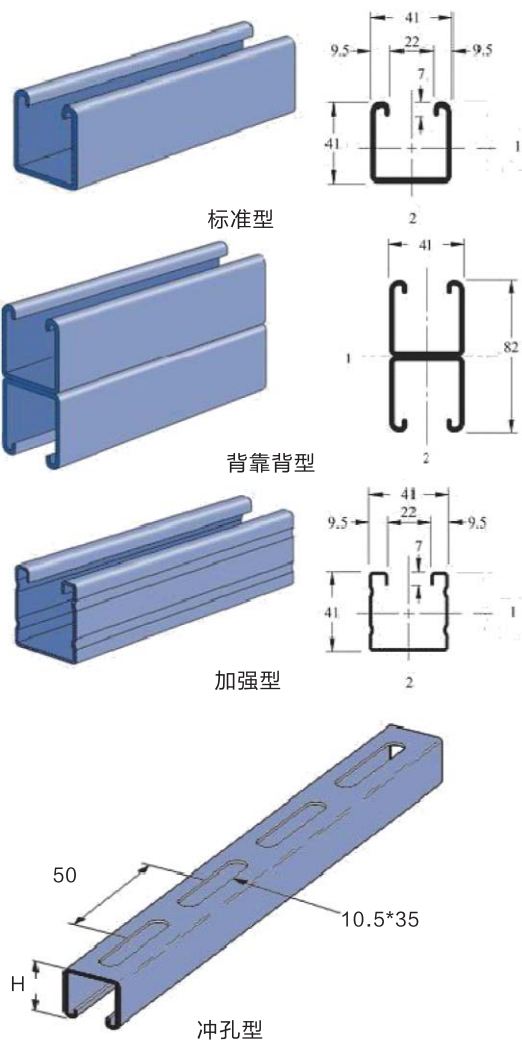
## Strut Systems

Add:7th floor,TowerA,Jinhui Building,486 South HaiChang Road,Zhejiang,P.R.China

Tel:+86-573-87379889,+86-573-87379615 Fax:+86-573-87379884,+86-573-87379616 E-mail:info@hisener.com

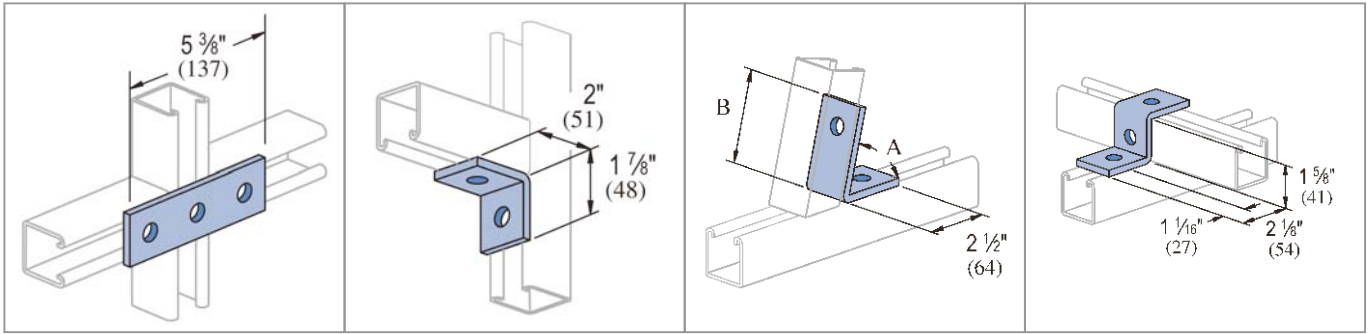
## PRODUCTS

### CHANNEL



品名	规格	ZP	HDC	PG
STANDARD SECTION	1.5×25×41×3000	ZP1525	1525	1525
	2.0×25×41×3000	ZP 2025	2025	2025
	1.5×41×41×3000	ZP 1541	1541	1541
	2.0×41×41×3000	ZP 2041	2041	2041
	2.5×41×41×3000	ZP 2541	2541	2541
	2.5×62×41×3000	ZP 2562	2562	2562
冲孔系列	1.5×25×41×3000	ZP 1525	1525	1525
	2.0×25×41×3000	ZP 2025	2025	2025
	1.5×41×41×3000	ZP 1541	1541	1541
	2.0×41×41×3000	ZP 2041	2041	2041
	2.5×41×41×3000	ZP 2541	2541	2541
	2.5×62×41×3000	ZP 2562	2562	2562
背靠背系列	1.5×50×41×3000	ZP 1550	1550	1550
	2.0×50×41×3000	ZP 2050	2050	2050
	2.0×82×41×3000	ZP 2082	2082	2082
	2.5×82×41×3000	ZP 2582	2582	2582

标准系列	1.5×25×41×3000	SUS1525	SUST1525
	2.0×25×41×3000	SUS2025	SUST2025
	1.5×41×41×3000	SUS1541	SUST1541
	2.0×41×41×3000	SUS2041	SUST2041
背靠背系列	1.5×50×41×3000	SUS1550	SUST1550
	2.0×50×41×3000	SUS2025	SUST2025
	1.5×82×41×3000	SUS1541	SUST1541
	2.0×82×41×3000	SUS2041	SUST2041

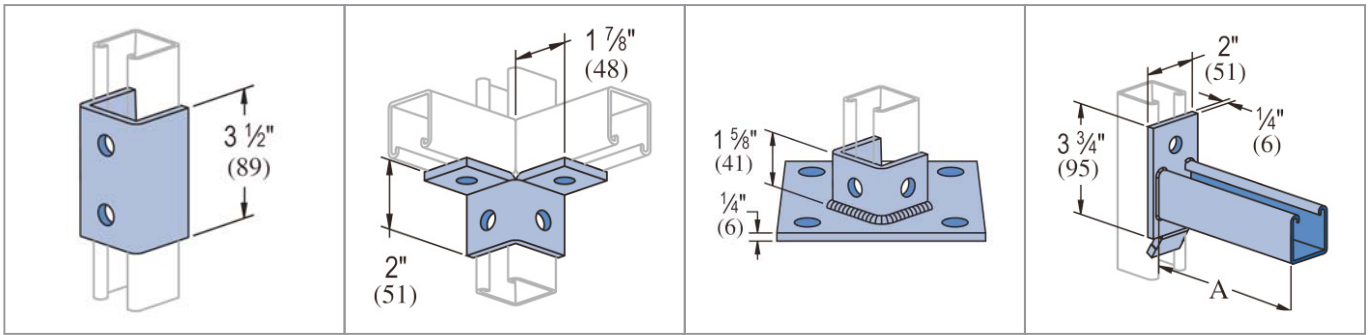
**1-5/8" GENERAL FITTINGS**


Flat Fittings

90° Angular Fittings

Angular Fittings

"Z" Shape Fittings

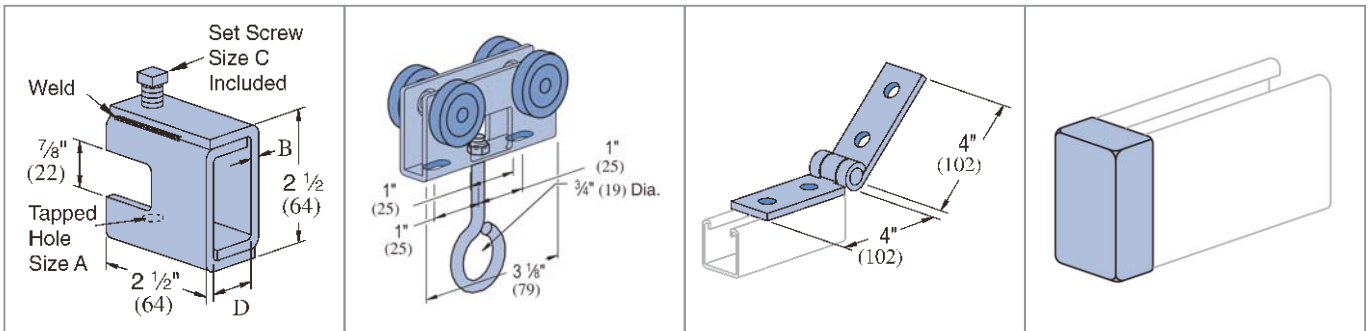


"U" Shape Fittings

Wing Fittings

Post Bases

Brackets &amp; Brace Fittings



Beam Clamps

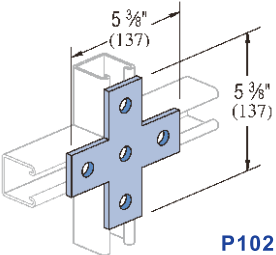
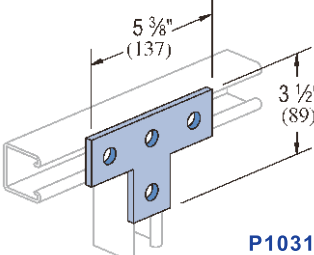
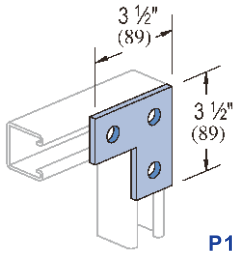
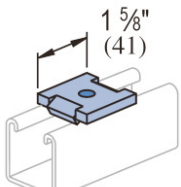
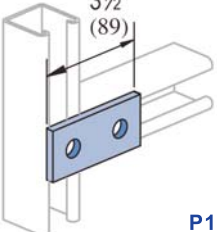
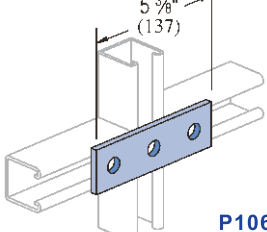
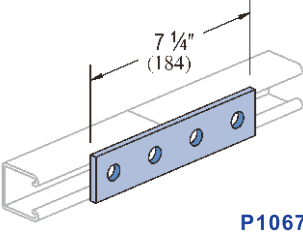
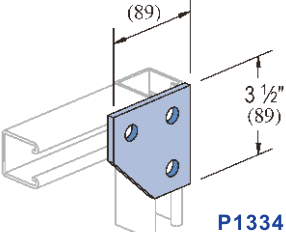
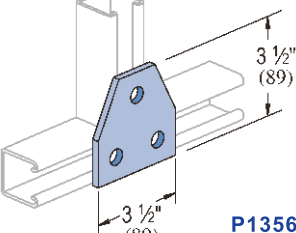
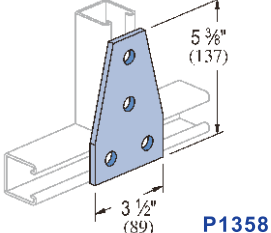
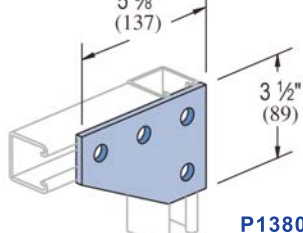
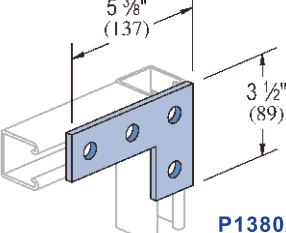
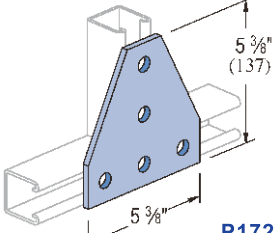
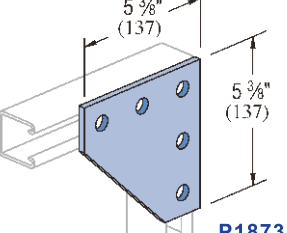
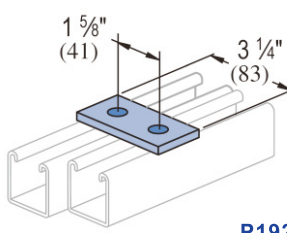
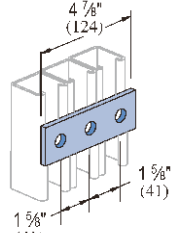
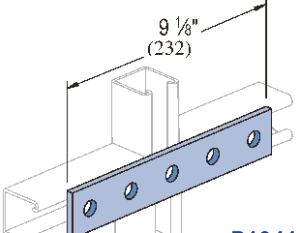
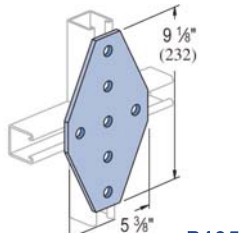
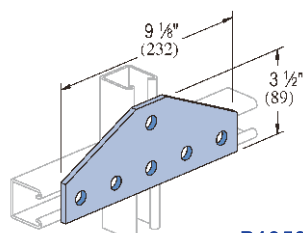
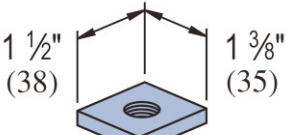
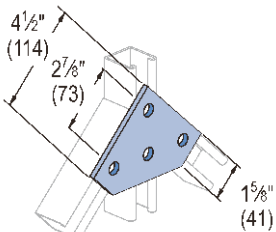
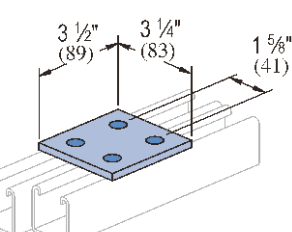
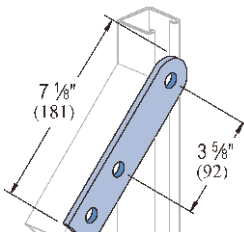
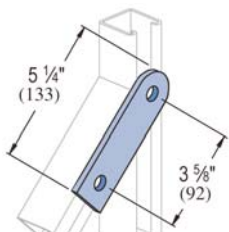
Trolleys

Special Applications

End Caps



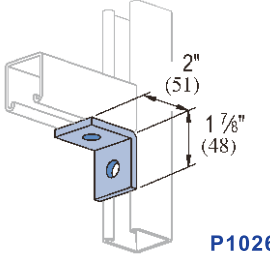
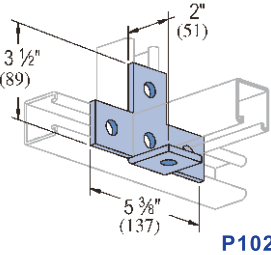
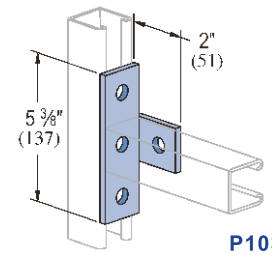
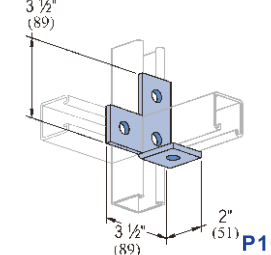
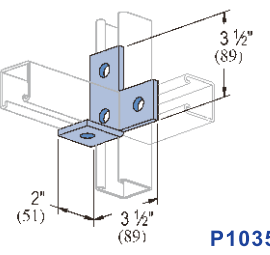
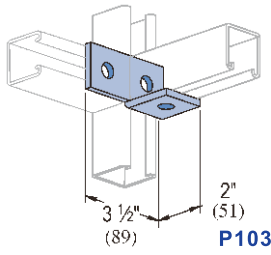
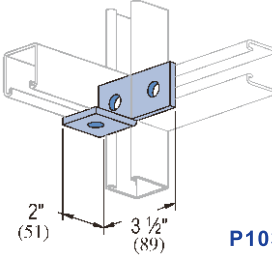
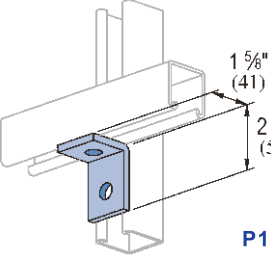
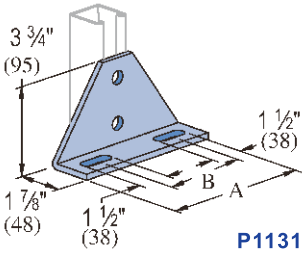
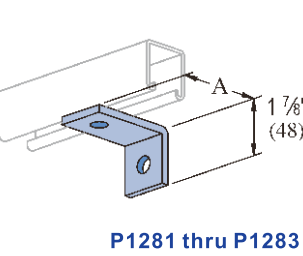
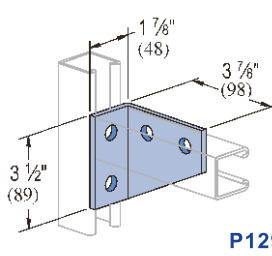
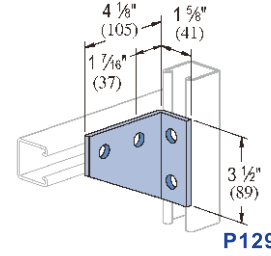
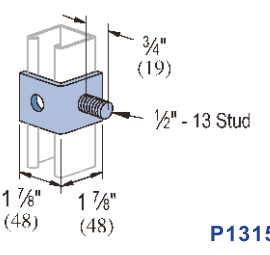
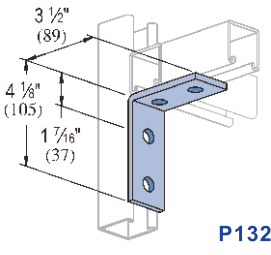
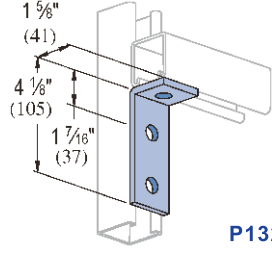
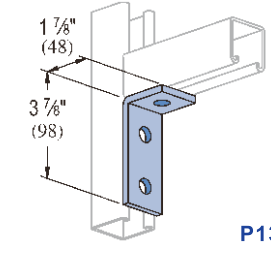
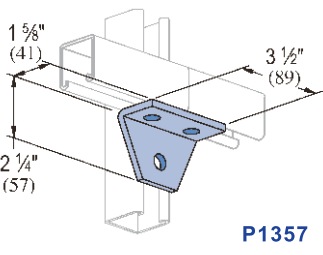
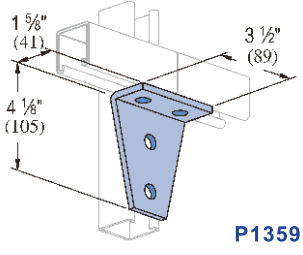
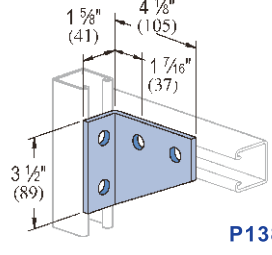
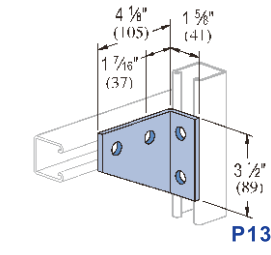
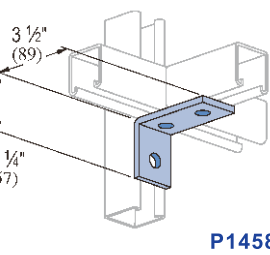
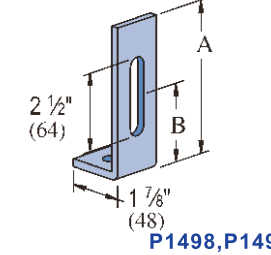
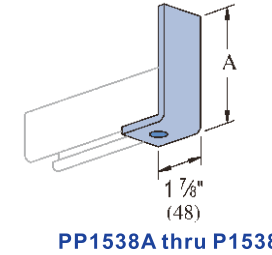
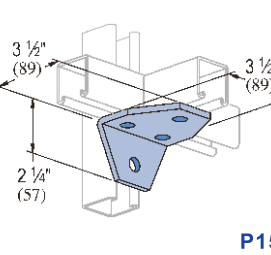
**1-5/8" METAL FRAMING SYSTEM - FLAT PLATE FITTINGS**

 <p><b>P1028</b></p>	 <p><b>P1031</b></p>	 <p><b>P1036</b></p>	 <p><b>P1062 thru 1064 P1964, P2471, P2490</b></p>
 <p><b>P1065</b></p>	 <p><b>P1066</b></p>	 <p><b>P1067</b></p>	 <p><b>P1334</b></p>
 <p><b>P1356</b></p>	 <p><b>P1358</b></p>	 <p><b>P1380</b></p>	 <p><b>P1380A</b></p>
 <p><b>P1726</b></p>	 <p><b>P1873</b></p>	 <p><b>P1924</b></p>	 <p><b>P1925</b></p>
 <p><b>P1941</b></p>	 <p><b>P1950</b></p>	 <p><b>P1953</b></p>	 <p><b>P1959 thru P 1961</b></p>
 <p><b>P1962</b></p>	 <p><b>P2079</b></p>	 <p><b>P2324</b></p>	 <p><b>P2325</b></p>

Add: 7th floor, Tower A, Jinhui Building, 486 South HaiChang Road, Zhejiang, P.R. China

Tel: +86-573-87379889, +86-573-87379615 Fax: +86-573-87379884, +86-573-87379616 E-mail: info@hisener.com

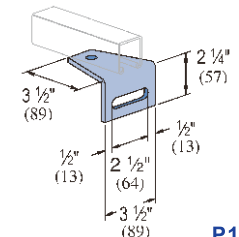
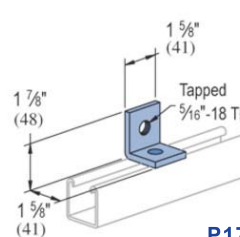
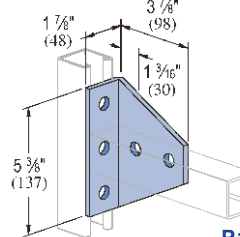
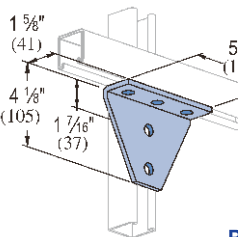
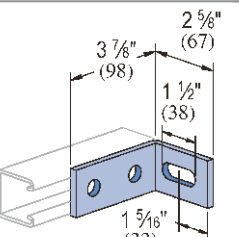
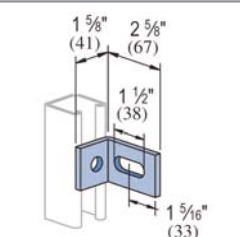
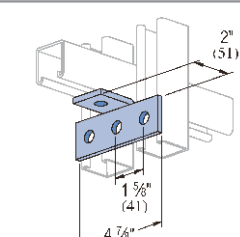
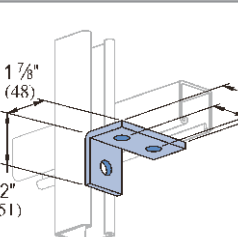
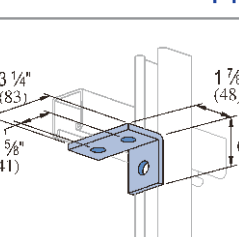
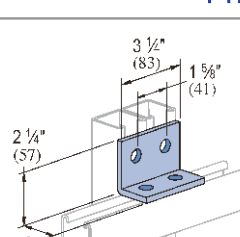
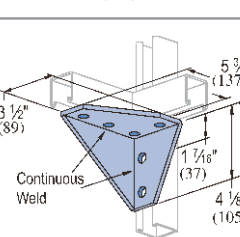
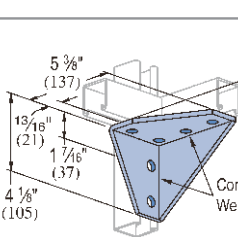
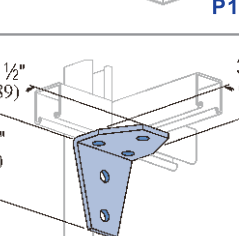
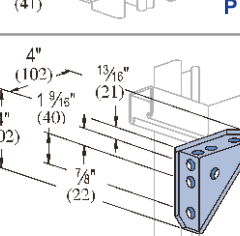
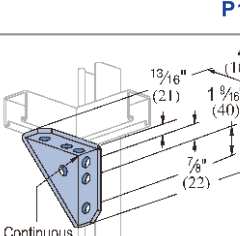
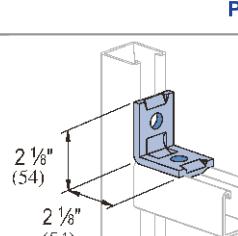
**90° ANGULAR FITTINGS**

 <p><b>P1026</b></p>	 <p><b>P1029</b></p>	 <p><b>P1033</b></p>	 <p><b>P1034</b></p>
 <p><b>P1035</b></p>	 <p><b>P1037</b></p>	 <p><b>P1038</b></p>	 <p><b>P1068</b></p>
 <p><b>P1131</b></p>	 <p><b>P1281 thru P1283</b></p>	 <p><b>P1290</b></p>	 <p><b>P1291</b></p>
 <p><b>P1315</b></p>	 <p><b>P1325</b></p>	 <p><b>P1326</b></p>	 <p><b>P1346</b></p>
 <p><b>P1357</b></p>	 <p><b>P1359</b></p>	 <p><b>P1381</b></p>	 <p><b>P1382</b></p>
 <p><b>P1458</b></p>	 <p><b>P1498, P1499</b></p>	 <p><b>PP1538A thru P1538D</b></p>	 <p><b>P1579</b></p>

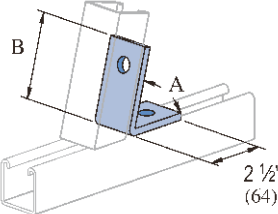
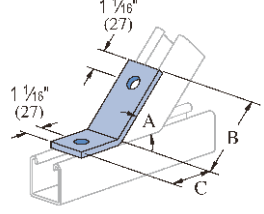
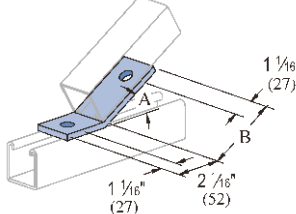
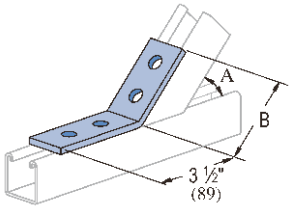
Add: 7th floor, Tower A, Jinhui Building, 486 South HaiChang Road, Zhejiang, P.R. China

Tel: +86-573-87379889, +86-573-87379615 Fax: +86-573-87379884, +86-573-87379616 E-mail: info@hisener.com

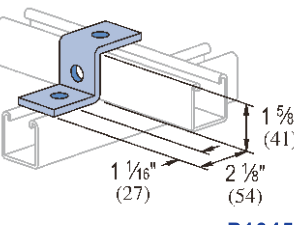
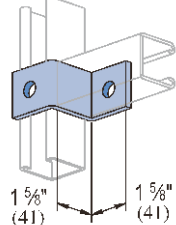
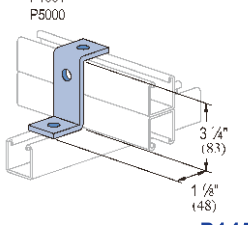
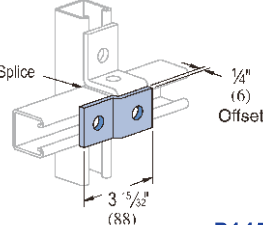
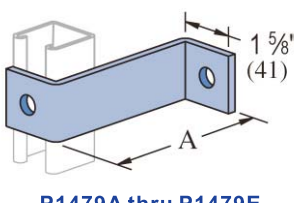
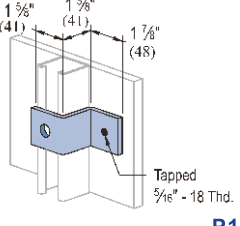
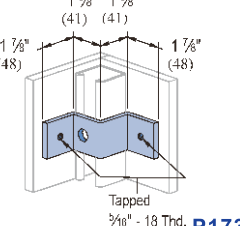
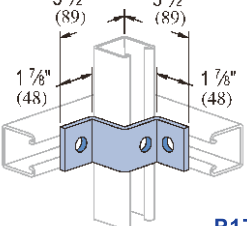
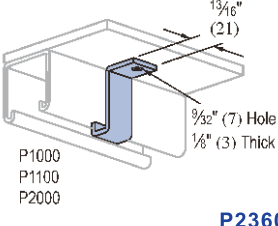
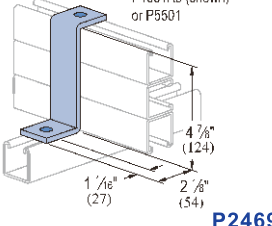
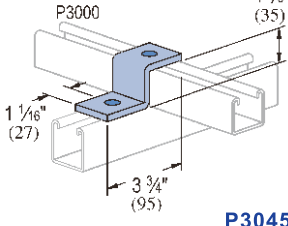
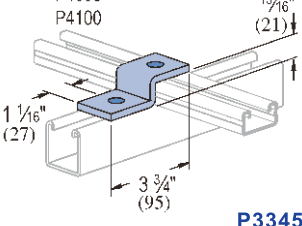
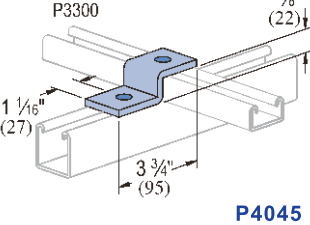
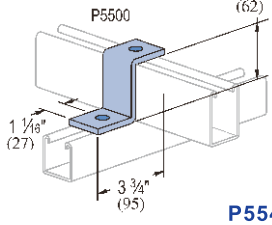
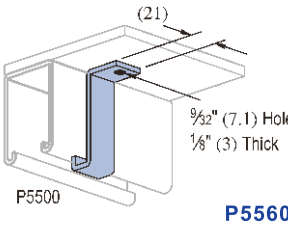
**90° ANGULAR FITTINGS**

 <p><b>P1713</b></p>	 <p><b>P1723</b></p>	 <p><b>P1727</b></p>	 <p><b>P1728</b></p>
 <p><b>P1747</b></p>	 <p><b>P1750</b></p>	 <p><b>P1821</b></p>	 <p><b>P1822</b></p>
 <p><b>P1823</b></p>	 <p><b>P1934</b></p>	 <p><b>P1956</b></p>	 <p><b>P1957</b></p>
 <p><b>P2235</b></p>	 <p><b>P2484</b></p>	 <p><b>P2484W</b></p>	 <p><b>P2626</b></p>

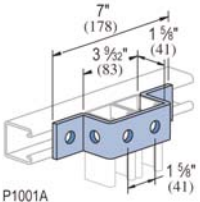
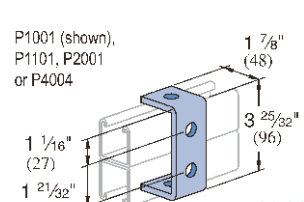
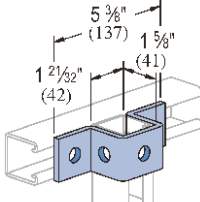
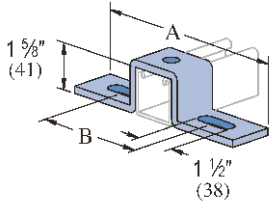
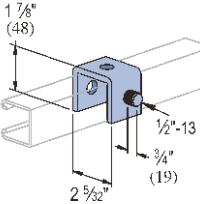
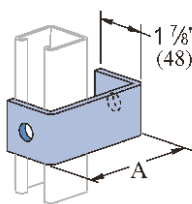
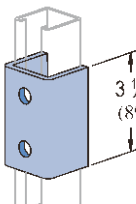
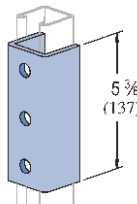
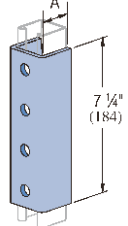
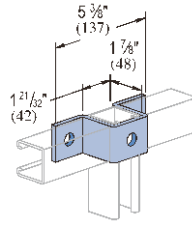
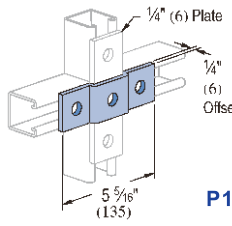
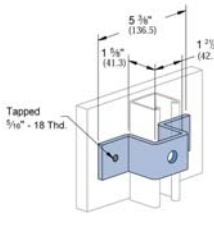
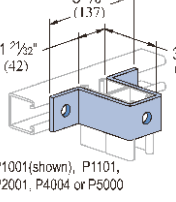
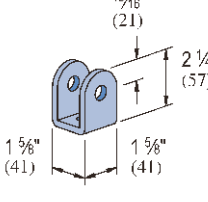
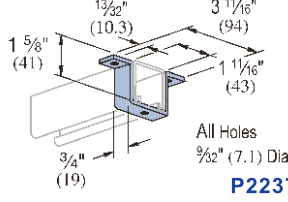
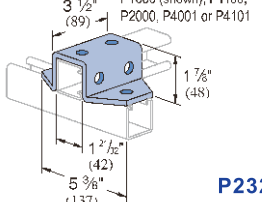
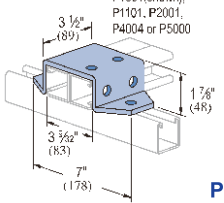
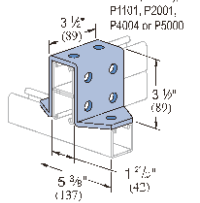
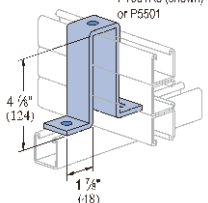
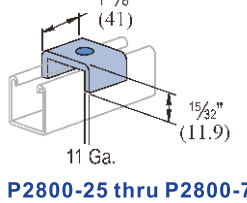
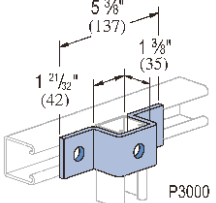
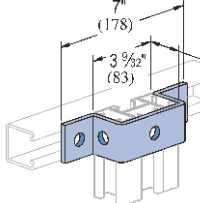
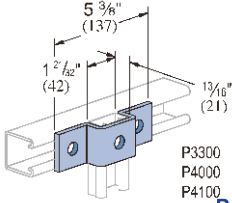
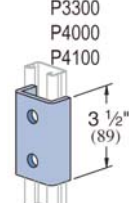
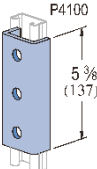
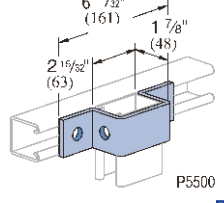
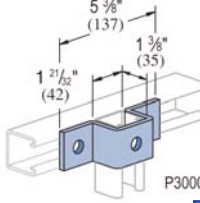
**1-5/8" METAL FRAMING SYSTEM - ANGLE FITTINGS**

 <p><b>P1186, P2105 thru, P2110</b></p>	 <p><b>P1546, P2094 thru, P2100</b></p>	 <p><b>P2101 thru P2104</b></p>	 <p><b>P2260 thru P2270</b></p>
--	--	---	--

**1-5/8" METAL FRAMING SYSTEM - "Z" SHAPE FITTINGS**

 <p><b>P1045</b></p>	 <p><b>P1347</b></p>	 <p><b>P1453</b></p>	 <p><b>P1454</b></p>
 <p><b>P1479A thru P1479E</b></p>	 <p><b>P1730</b></p>	 <p><b>P1734</b></p>	 <p><b>P1736</b></p>
 <p><b>P2360</b></p>	 <p><b>P2469</b></p>	 <p><b>P3045</b></p>	 <p><b>P3345</b></p>
 <p><b>P4045</b></p>	 <p><b>P5545</b></p>	 <p><b>P5560</b></p>	

**1-5/8" METAL FRAMING SYSTEM - "U" SHAPE FITTING**

 <p>P1001A</p>	 <p>P1001 (shown), P1101, P2001 or P4004</p>		
 <p>P1320</p>	 <p>P1363A thru P1363E</p>	 <p>P1376</p>	 <p>P1376A</p>
 <p>P1377, P4377 P5077, P5577</p>	 <p>P1383</p>	 <p>P1455</p>	 <p>P1732</p>
 <p>P1737</p>	 <p>P1973</p>	 <p>P2237</p>	 <p>P2326</p>
 <p>P2328</p>	 <p>P2329</p>	 <p>P2473</p>	 <p>P2800-25 thru P2800-75</p>
 <p>P3047</p>	 <p>P4043</p>	 <p>P4047</p>	 <p>P3300 P4000 P4100</p>
 <p>P4376A</p>	 <p>P5543</p>	 <p>P5547</p>	